

# RFC SERVICE REQUEST



## MY ADRESS

Customer Account No.: \_\_\_\_\_  
Name: \_\_\_\_\_  
Street: \_\_\_\_\_  
Postcode/ City: \_\_\_\_\_  
Telephone: \_\_\_\_\_  
E-Mail: \_\_\_\_\_

## SEND TO

Krontec Maschinenbau GmbH  
Walhallastraße 19  
93083 Obertraubling  
GERMANY

Dear Customer,

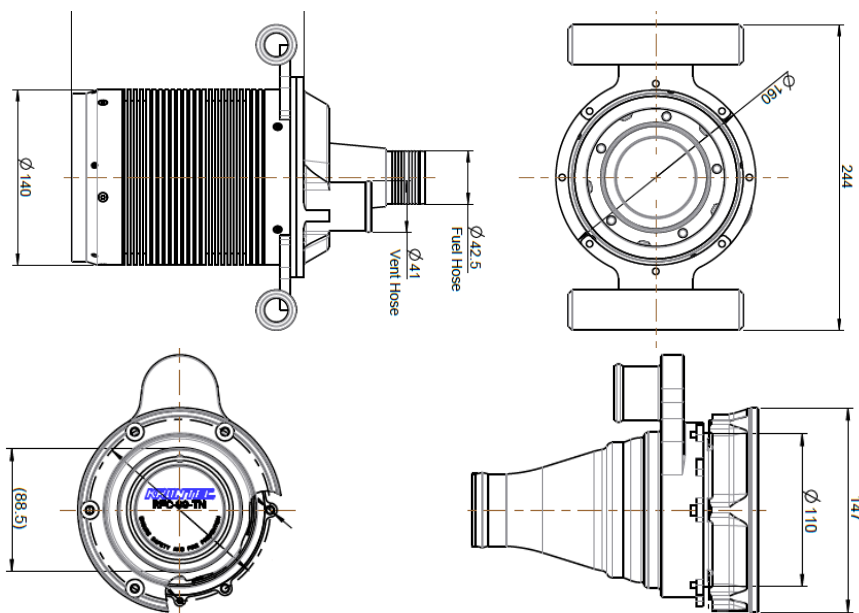
We want to deliver the best service possible. To help us do so, please fill out this service request and enclose it to the parcel. Please doublecheck that all packaging is safe and secure before you send it to avoid any damage during transit.

If you are sending your RFC equipment to us, please refer to our manual which is available on our homepage or via the QR-Code on the right and follow the service instructions.



## COMMENTS

(Description of a possible failure, malfunction, standard service, mileage etc.)



Please mark any anomaly, defect or leakage on the image above.