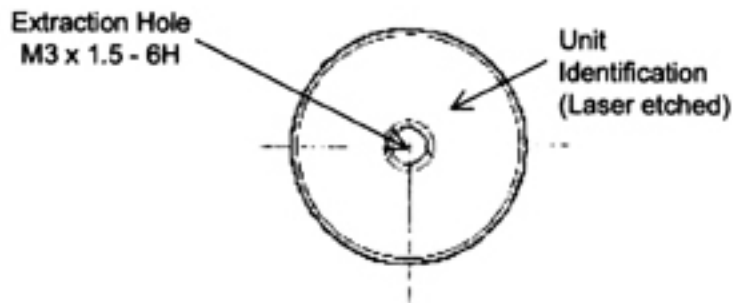


ELEMENT DATA

- | | |
|--------------------------------------|-------------------------------------|
| 1. Filtration Rating :- | $\beta_3 \geq 75$ to ISO4572 |
| 2. Temperature Range :- | Up to 130°C |
| 3. Element Pressure Drop Factor :- | 500 mbar/l/min at
5cSt at 0.9 SG |
| 4. Differential Collapse Pressure :- | 210 bar Min |
| 5. Materials of Construction :- | |
| Hardware :- | Aluminium Alloy |
| Media :- | Organic and Inorganic
Fibres |
| Fabrication Method:- | Resin Bonded |
| 6. Estimated Mass :- | 10g MAX |



© 1999 PALL CORPORATION

Unauthorised use, manufacture, or reproduction in whole or in part is prohibited. Drawing, design, design rights and all disclosures are the property of:-
PALL CORPORATION LTD

PALL AEROSPACE

Dimensions in millimetres
DO NOT SCALE

NOT FOR MANUFACTURE

STYLE NUMBER

9

ISSUE

1