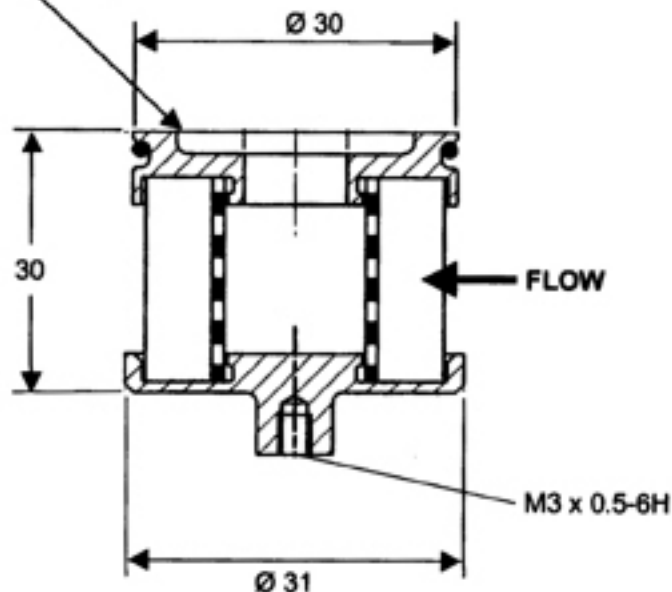


Unit Identification  
(Laser etched)



### ELEMENT DATA

- |  |                                |
|--|--------------------------------|
| 1. Filtration Rating :-                  | $\beta_3 \geq 200$ to ISO4572  |
| 2. Temperature Range :-                  | Up to 130°C                    |
| 3. Element Pressure Drop Factor :-       | 125mbar/l/min at 5cSt at 0.9SG |
| 4. Min Differential Collapse Pressure :- | 100 bar                        |
| 5. Materials of Construction             |                                |
| Hardware :-                              | Aluminium Alloy                |
| Media:-                                  | Organic and Inorganic Fibres   |
| Fabrication Method:-                     | Resin Bonded                   |
| 6. Estimated Mass :-                     | 23g                            |

© 1999 PALL CORPORATION

Unauthorised use, manufacture, or reproduction in whole or in part is prohibited. Drawing, design, design rights and all disclosures are the property of:-  
**PALL CORPORATION LTD**

**PALL** AEROSPACE

Dimensions in millimetres  
**DO NOT SCALE**

NOT FOR MANUFACTURE

STYLE NUMBER

4

ISSUE

1