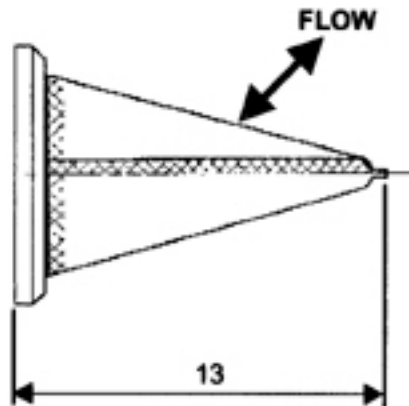


ELEMENT DATA

- | | |
|---------------------------------|------------------------------------|
| 1. Filtration Rating :- | 18µm Absolute -
Glass Bead Test |
| 2. Temperature Range :- | Up to 150°C |
| 3. Fluid:- | Air |
| 4. Burst / Collapse Pressure :- | 10 bar |
| 5. Materials of Construction :- | All Stainless Steel |
| 6. Estimated Mass:- | 1g MAX |



© 1999 PALL CORPORATION

Unauthorised use, manufacture, or reproduction in whole or in part is prohibited. Drawing, design, design rights and all disclosures are the property of:-
PALL CORPORATION LTD

PALL AEROSPACE

Dimensions in millimetres
DO NOT SCALE

NOT FOR MANUFACTURE

STYLE NUMBER
13

ISSUE
1