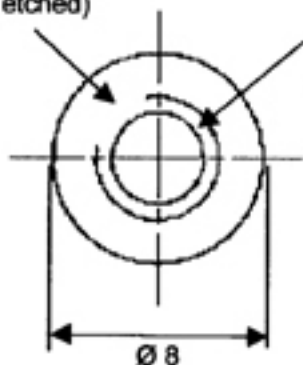


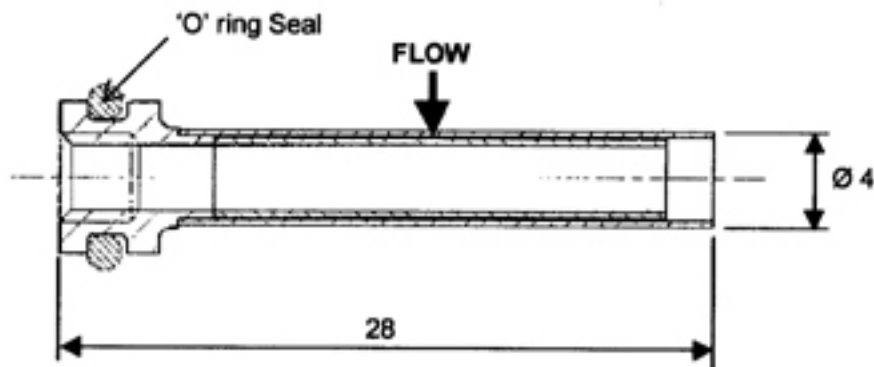
Unit identification  
(Laser etched)



Hole Through Ø 2.7  
Tapped 6-32UNC-2B  
x3.0

### ELEMENT DATA

- |   |                                     |
|---|-------------------------------------|
| 1. Filtration Rating :-                                 | 25µm Absolute -<br>Glass Bead Test  |
| 2. Temperature Range :-                                 | Up to 130°C                         |
| 3. Element Pressure Drop Factor :-                      | 800 mbar/l/min at<br>5cSt at 0.9 SG |
| 4. Differential Collapse Pressure :-                    | 34.5 bar                            |
| 5. Materials of Construction :-<br>Fabrication Method:- | All Stainless Steel<br>Welded       |
| 6. Estimated Mass :-                                    | 3g                                  |



© 1999 PALL CORPORATION

Unauthorised use, manufacture, or reproduction in whole or in part is prohibited. Drawing, design, design rights and all disclosures are the property of:-  
**PALL CORPORATION LTD**

**PALL** AEROSPACE

Dimensions in millimetres  
**DO NOT SCALE**

NOT FOR MANUFACTURE

STYLE NUMBER  
10

ISSUE  
1