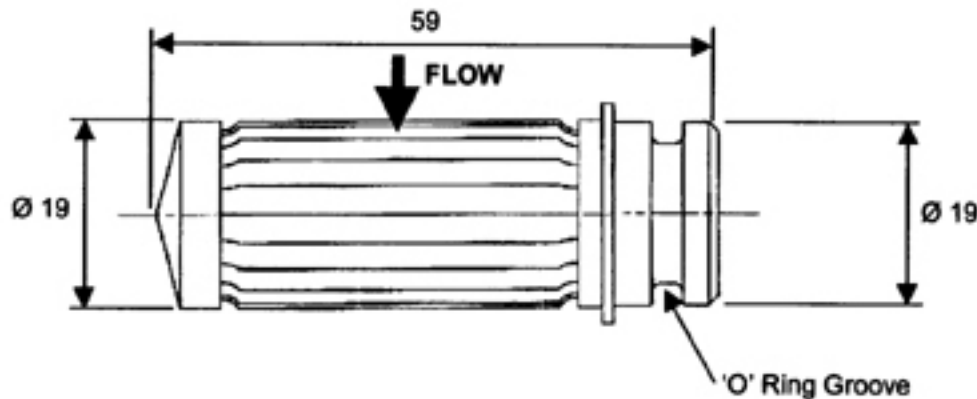


ELEMENT DATA

- | | |
|--------------------------------------|--------------------------------|
| 1. Filtration Rating :- | $\beta_3 \geq 200$ to ISO4572 |
| 2. Temperature Range :- | Up to 130°C |
| 3. Elements Pressure Drop Factor :- | 57 mbar/l/min at 5cSt at 0.9SG |
| 4. Differential Collapse Pressure :- | 276 bar MIN |
| 5. Materials of Construction | |
| Hardware :- | Aluminium Alloy |
| Media:- | Organic and Inorganic Fibres. |
| Fabrication Method:- | Epoxy Resin Bonded |
| 6. Estimated Mass :- | 35g MAX |



© 1999 PALL CORPORATION

Unauthorised use, manufacture, or reproduction in whole or in part is prohibited. Drawing, design, design rights and all disclosures are the property of:-
PALL CORPORATION LTD

PALL AEROSPACE

Dimensions in millimetres
DO NOT SCALE

NOT FOR MANUFACTURE

STYLE NUMBER

1

ISSUE

1